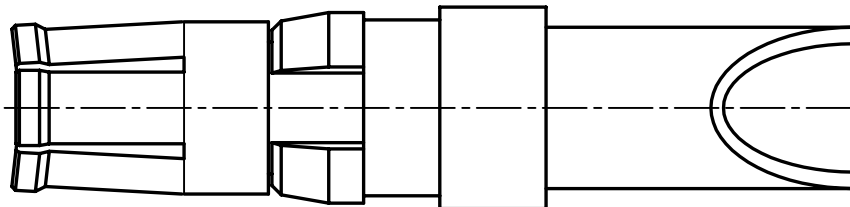
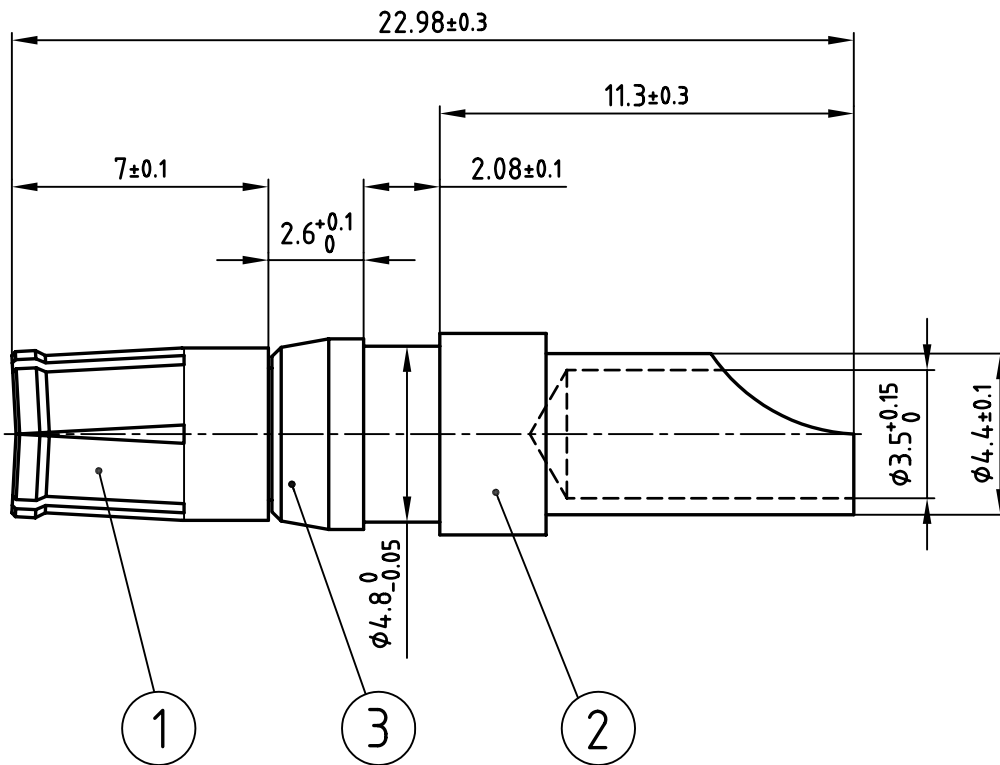


used for: D-SUB COMBINATION



NOTES:

- 1. MATERIAL: COPPER ALLOY
- 2. PLATING:
 ITEM 1: min. 30µ" HARD GOLD OVER min. 50µ" NICKEL
 ITEM 2: min. 8µ" HARD GOLD OVER min. 50µ" NICKEL
 ITEM 3: NICKEL PLATED



THIS DRAWING MAY NOT BE COPIED OR REPRODUCED IN ANY WAY, AND MAY NOT BE PASSED ON TO A THIRD PARTY WITHOUT WRITTEN PERMISSION.
 OWNERSHIP AND COPYRIGHT OF CONEC GmbH
 DO NOT ALTER CAD DRAWING BY HAND

			tolerance ISO 2768-m		scale: 5:1
			1998	date	name
			drawn	23.03.	Barcinski
			appd.	23.03.	Mickenbecker
			norm		
			d-old		
			CONEC®		
rev.	description	date	name		

material: SEE NOTES		title: HIGH POWER CONTACT FEMALE SOLDER CUP 30A D-SUB COMBINATION	
dwg no: 13K11E5A		CAD/ REL.13	DIN-A 4
product no: 132C10039X		sh: 1/1	